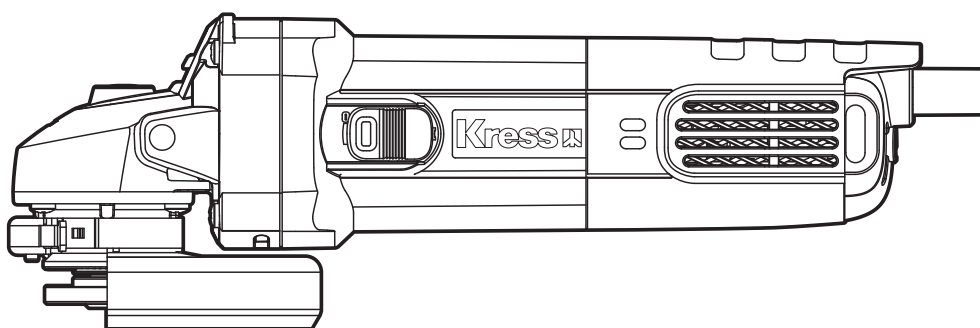


Kress



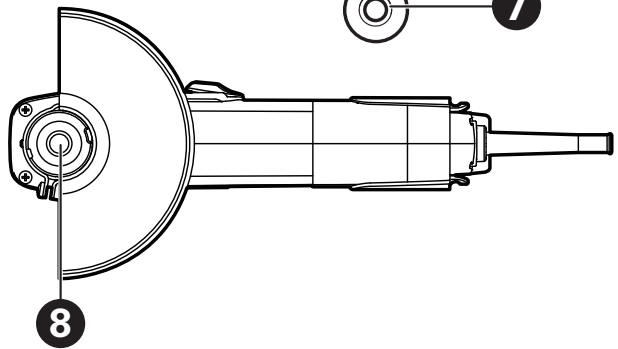
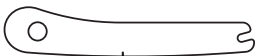
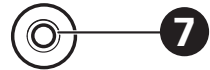
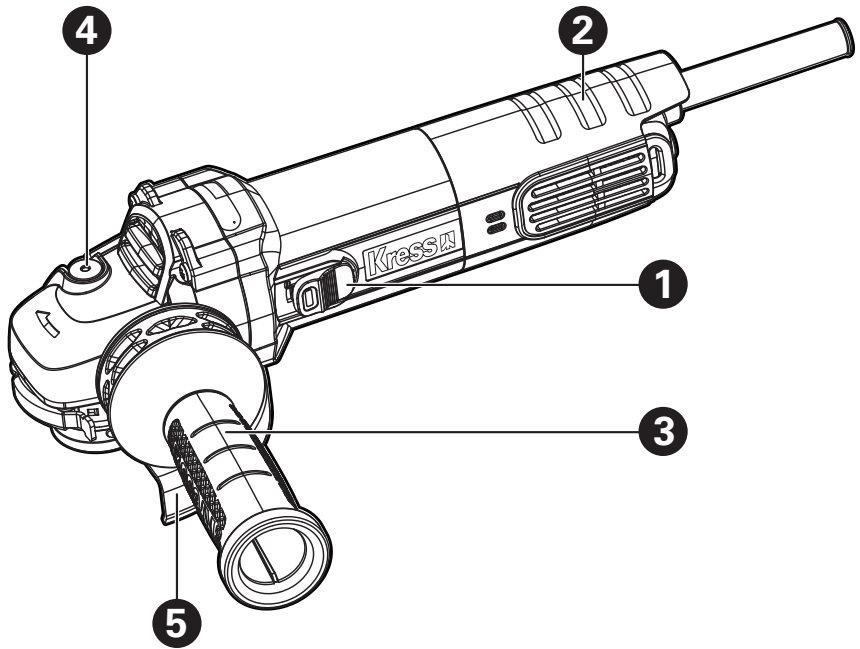
Angle grinder

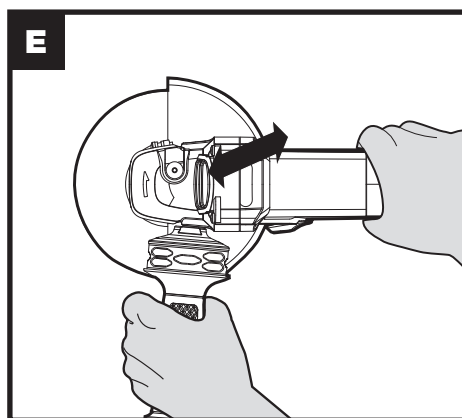
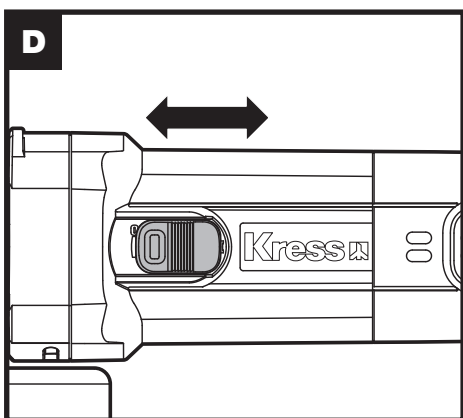
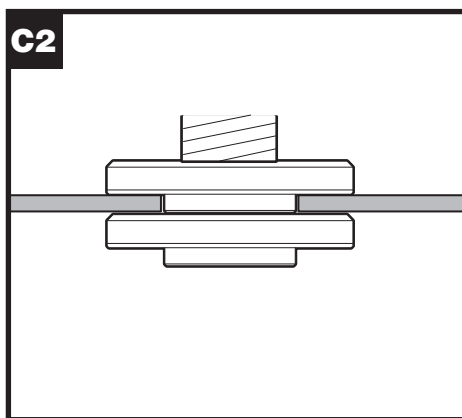
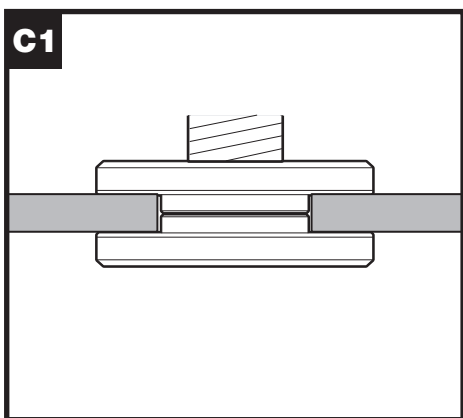
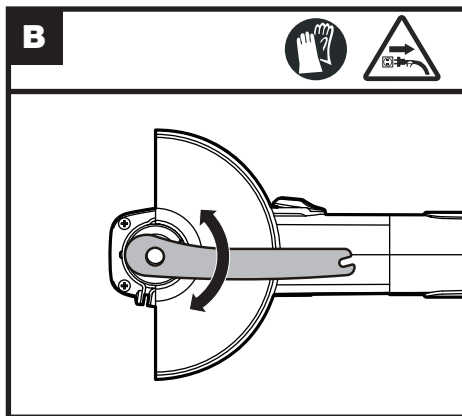
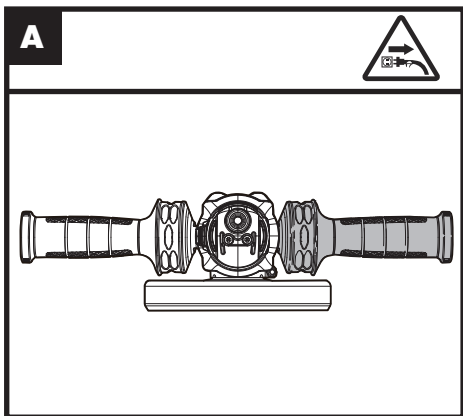
EN P05

Угловая шлифовальная машина

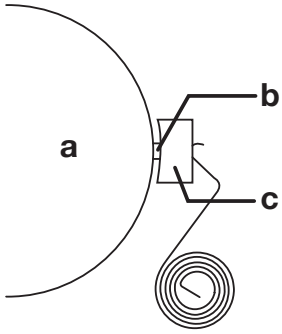
RU P06

KUS20P






F



ORIGINAL INSTRUCTIONS

GENERAL POWER TOOL

SAFETY WARNINGS

 **WARNING** Read all safety warnings and all instructions. Failure to follow the warnings and instructions may result in electric shock, fire and/or serious injury.

Save all warnings and instructions for future reference.

The term "power tool" in the warnings refers to your mains-operated (corded) power tool or battery-operated (cordless) power tool.

1) Work area safety

- a) **Keep work area clean and well lit.** Cluttered or dark areas invite accidents.
- b) **Do not operate power tools in explosive atmospheres, such as in the presence of flammable liquids, gases or dust.** Power tools create sparks which may ignite the dust or fumes.
- c) **Keep children and bystanders away while operating a power tool.** Distractions can cause you to lose control.

2) Electrical safety

- a) **Power tool plugs must match the outlet. Never modify the plug in any way. Do not use any adapter plugs with earthed (grounded) power tools.** Unmodified plugs and matching outlets will reduce risk of electric shock.
- b) **Avoid body contact with earthed or grounded surfaces, such as pipes, radiators, ranges and refrigerators.** There is an increased risk of electric shock if your body is earthed or grounded.
- c) **Do not expose power tools to rain or wet conditions.** Water entering a power tool will increase the risk of electric shock.
- d) **Do not abuse the cord. Never use the cord for carrying, pulling or unplugging the power tool. Keep cord away from heat, oil, sharp edges or moving parts.** Damaged or entangled cords increase the risk of electric shock.
- e) **When operating a power tool outdoors, use an extension cord suitable for outdoor use.** Use of a cord suitable for outdoor use reduces the risk of electric shock.
- f) **If operating a power tool in a damp location is unavoidable, use a residual current device (RCD) protected supply.** Use of an RCD reduces the risk of electric shock.

3) Personal safety

- a) **Stay alert, watch what you are doing and use common sense when operating a power tool. Do not use a power tool while you are tired or under the influence of drugs, alcohol or medication.** A moment of inattention while operating power tools may result in serious personal injury.
- b) **Use personal protective equipment.**

Always wear eye protection. Protective equipment such as dust mask, non-skid safety shoes, hard hat, or hearing protection used for appropriate conditions will reduce personal injuries.

- c) **Prevent unintentional starting. Ensure the switch is in the off-position before connecting to power source and/or battery pack, picking up or carrying the tool.** Carrying power tools with your finger on the switch or energising power tools that have the switch on invites accidents.
 - d) **Remove any adjusting key or wrench before turning the power tool on.** A wrench or a key left attached to a rotating part of the power tool may result in personal injury.
 - e) **Do not overreach. Keep proper footing and balance at all times.** This enables better control of the power tool in unexpected situations.
 - f) **Dress properly. Do not wear loose clothing or jewellery. Keep your hair, clothing and gloves away from moving parts.** Loose clothes, jewellery or long hair can be caught in moving parts.
 - g) **If devices are provided for the connection of dust extraction and collection facilities, ensure these are connected and properly used.** Use of dust collection can reduce dust-related hazards.
-
- 4) **Power tool use and care**
 - a) **Do not force the power tool. Use the correct power tool for your application.** The correct power tool will do the job better and safer at the rate for which it was designed.
 - b) **Do not use the power tool if the switch does not turn it on and off.** Any power tool that cannot be controlled with the switch is dangerous and must be repaired.
 - c) **Disconnect the plug from the power source and/or the battery pack from the power tool before making any adjustments, changing accessories, or storing power tools.** Such preventive safety measures reduce the risk of starting the power tool accidentally.
 - d) **Store idle power tools out of the reach of children and do not allow persons unfamiliar with the power tool or these instructions to operate the power tool.** Power tools are dangerous in the hands of untrained users.
 - e) **Maintain power tools. Check for misalignment or binding of moving parts, breakage of parts and any other condition that may affect the power tool's operation. If damaged, have the power tool repaired before use.** Many accidents are caused by poorly maintained power tools.
 - f) **Keep cutting tools sharp and clean.** Properly maintained cutting tools with sharp cutting edges are less likely to bind and are easier to control.
 - g) **Use the power tool, accessories and tool bits etc. in accordance with these instructions, taking into account the**

working conditions and the work to be performed. Use of the power tool for operations different from those intended could result in a hazardous situation.

5) Service

- a) **Have your power tool serviced by a qualified repair person using only identical replacement parts.** This will ensure that the safety of the power tool is maintained.

SAFETY INSTRUCTIONS FOR ALL OPERATIONS:

Safety Warnings Common for Grinding or Abrasive Cutting-Off Operations:

- a) **This power tool is intended to function as a grinder or cut-off tool. Read all safety warnings, instructions, illustrations and specifications provided with this power tool.** Failure to follow all instructions listed below may result in electric shock, fire and/or serious injury.
- b) **Operations such as sanding, wire brushing, polishing are not recommended to be performed with this power tool.** Operations for which the power tool was not designed may create a hazard and cause personal injury.
- c) **Do not use accessories which are not specifically designed and recommended by the tool manufacturer.** Just because the accessory can be attached to your power tool, it does not assure safe operation.
- d) **The rated speed of the accessory must be at least equal to the maximum speed marked on the power tool.** Accessories running faster than their rated speed can break and fly apart.
- e) **The outside diameter and the thickness of your accessory must be within the capacity rating of your power tool.** Incorrectly sized accessories cannot be adequately guarded or controlled.
- f) **Threaded mounting of accessories must match the grinder spindle thread. For accessories mounted by flanges, the arbour hole of the accessory must fit the locating diameter of the flange.** Accessories that do not match the mounting hardware of the power tool will run out of balance, vibrate excessively and may cause loss of control.
- g) **Do not use a damaged accessory. Before each use inspect the accessory such as abrasive wheels for chips and cracks, backing pad for cracks, tear or excess wear, wire brush for loose or cracked wires. If power tool or accessory is dropped, inspect for damage or install an undamaged accessory. After inspecting and installing an accessory, position yourself and bystanders away from the plane of the rotating accessory and run the power tool at maximum no-load speed for one minute.** Damaged accessories will

normally break apart during this test time.

- h) **Wear personal protective equipment. Depending on application, use face shield, safety goggles or safety glasses. As appropriate, wear dust mask, hearing protectors, gloves and workshop apron capable of stopping small abrasive or workpiece fragments.** The eye protection must be capable of stopping flying debris generated by various operations. The dust mask or respirator must be capable of filtrating particles generated by your operation. Prolonged exposure to high intensity noise may cause hearing loss.
- i) **Keep bystanders a safe distance away from work area. Anyone entering the work area must wear personal protective equipment.** Fragments of workpiece or of a broken accessory may fly away and cause injury beyond immediate area of operation.
- j) **Hold the power tool by insulated gripping surfaces only, when performing an operation where the cutting accessory may contact hidden wiring or its own cord.** Cutting accessory contacting a "live" wire may make exposed metal parts of the power tool "live" and could give the operator an electric shock.
- k) **Position the cord clear of the spinning accessory.** If you lose control, the cord may be cut or snagged and your hand or arm may be pulled into the spinning accessory.
- l) **Never lay the power tool down until the accessory has come to a complete stop.** The spinning accessory may grab the surface and pull the power tool out of your control.
- m) **Do not run the power tool while carrying it at your side.** Accidental contact with the spinning accessory could snag your clothing, pulling the accessory into your body.
- n) **Regularly clean the power tool's air vents.** The motor's fan will draw the dust inside the housing and excessive accumulation of powdered metal may cause electrical hazards.
- o) **Do not operate the power tool near flammable materials.** Sparks could ignite these materials.
- p) **Do not use accessories that require liquid coolants.** Using water or other liquid coolants may result in electrocution or shock.
- q) Your hand must hold on the handle when you are working. Always use the auxiliary handles supplied with the tool. Loss of control can cause personal injury

FURTHER SAFETY INSTRUCTIONS FOR ALL OPERATIONS

Kickback and Related Warnings

Kickback is a sudden reaction to a pinched or snagged rotating wheel, backing pad, brush or any other accessory. Pinching or snagging causes rapid stalling of the rotating accessory which in turn causes the uncontrolled power tool to be forced in the direction opposite of the accessory's rotation at the point of the binding.

For example, if an abrasive wheel is snagged or pinched by the workpiece, the edge of the wheel that is entering into the pinch point can dig into the surface of the material causing the wheel to climb out or kick out. The wheel may either jump toward or away from the operator, depending on direction of the wheel's movement at the point of pinching. Abrasive wheels may also break under these conditions. Kickback is the result of power tool misuse and/or incorrect operating procedures or conditions and can be avoided by taking proper precautions as given below.

- a) **Maintain a firm grip on the power tool and position your body and arm to allow you to resist kickback forces. Always use auxiliary handle, if provided, for maximum control over kickback or torque reaction during start-up.** *The operator can control torque reactions or kickback forces, if proper precautions are taken.*
- b) **Never place your hand near the rotating accessory.** *Accessory may kickback over your hand.*
- c) **Do not position your body in the area where power tool will move if kickback occurs.** *Kickback will propel the tool in direction opposite to the wheel's movement at the point of snagging.*
- d) **Use special care when working corners, sharp edges etc. Avoid bouncing and snagging the accessory.** *Corners, sharp edges or bouncing have a tendency to snag the rotating accessory and cause loss of control or kickback.*
- e) **Do not attach a saw chain woodcarving blade or toothed saw blade.** *Such blades create frequent kickback and loss of control.*

ADDITIONAL SAFETY INSTRUCTIONS FOR GRINDING OPERATIONS

Safety Warnings Specific for Grinding Operations:

- a) **Use only wheel types that are recommended for your power tool and the specific guard designed for the selected wheel.** *Wheels for which the power tool was not designed cannot be adequately guarded and are unsafe.*
- b) **The grinding surface of centre depressed wheels must be mounted below the plane of the guard lip.** *An improperly mounted wheel that projects through the plane of the guard lip cannot be adequately protected.*
- c) **The guard must be securely attached to the power tool and positioned for maximum safety, so the least amount of wheel is exposed towards the operator.** *The guard helps to protect operator from broken wheel fragments and accidental contact with wheel and sparks that could ignite clothing.*
- d) **Wheels must be used only for recommended applications. For example: do not grind with the side of cut-off**

wheel. *Abrasive cut-off wheels are intended for peripheral grinding, side forces applied to these wheels may cause them to shatter.*

- e) **Always use undamaged wheel flanges that are of correct size and shape for your selected wheel.** *Proper wheel flanges support the wheel thus reducing the possibility of wheel breakage. Flanges for cut-off wheels may be different from grinding wheel flanges.*
- f) **Do not use worn down wheels from larger power tools.** *Wheel intended for larger power tool is not suitable for the higher speed of a smaller tool and may burst.*

SYMBOLS

	To reduce the risk of injury, user must read instruction manual
	Double insulation
	Warning
	Wear ear protection
	Wear eye protection
	Wear dust mask
	Wear protective gloves
	Before any work on the machine itself, pull the mains plug from the socket outlet.

COMPONENT LIST

1. ON / OFF SWITCH
2. HAND GRIP AREA
3. AUXILIARY HANDLE
4. SPINDLE LOCK BUTTON
5. WHEEL GUARD FOR GRINDING
6. OUTER FLANGE
7. INNER FLANGE
8. SPINDLE
9. SPANNER

Not all the accessories illustrated or described are included in standard delivery.

TECHNICAL DATA

	KUS20P
Voltage	220V~50Hz
Power input	1400W
Rated speed	9500/min
Protection class	□/II
Spindle thread	M14
Disc size	125 mm
Disc bore	22.2mm
Machine weight	2.0 kg

ACCESSORIES

	KUS20P
Spanner	1
Auxiliary handle	1

We recommend that you purchase your accessories from the same store that sold you the tool. Choose the type according to the work you intend to undertake. Refer to the accessory packaging for further details. Store personnel can assist you and offer advice.

OPERATING INSTRUCTIONS




NOTE: Before using the tool, read the instruction book carefully.

Intended Use

The machine is intended for cutting, roughing and brushing metal and stone materials without using water. For cutting metal, a special protection guard for cutting (accessory) must be used.

ASSEMBLY AND OPERATION

ACTION	FIGURE
ASSEMBLY	
Assembling Auxiliary Handle	See Fig. A
Assembling Grinding	See Fig. B
Adjusting Outer Flange Clamping	See Fig. C1 C2
OPERATION	
Using On/Off Switch	See Fig. D
Hand Grip Areas	See Fig. E
Rough Grinding	
 Warning! Never use a cutting disc for roughing.	
Replacing the Carbon Brush	See Fig. F

WORKING HINTS FOR YOUR ANGLE GRINDER

1. Always start at no load to achieve maximum speed then start working.
2. Do not force the disc to work faster, reducing the Disc's moving speed means longer working time.
3. Always work with a 15-30 angle between disc and workpiece. Larger angles will cut ridges into the workpiece and affect the surface finish. Move the angle grinder across and back and forth over the workpiece.
4. When using a cutting disc never change the cutting angle otherwise you will stall the disc and angle grinder motor or break the disc. When cutting, only cut in the opposite direction to the disc rotation. If you cut in the same direction as the disc rotation the disc may push itself out of the cut slot.
5. When cutting very hard material best results can be achieved with a diamond disc.
6. When using a diamond disc it will become very hot. If this happens you will see a full ring of sparks around the rotating disc. Stop cutting and allow to cool at no load speed for 2-3 minutes.
7. Always ensure the workpiece is firmly held or clamped to prevent movement.

MAINTENANCE

Remove the plug from the socket before carrying out any adjustment, servicing or maintenance.

There are no user serviceable parts in your power tool. Never use water or chemical cleaners to clean your power tool. Wipe clean with a dry cloth. Always store your power tool in a dry place. Keep the motor ventilation slots clean. Keep all working controls free of dust. Occasionally you may see sparks through the ventilation slots. This is normal and will not damage your power tool.

If the supply cord is damaged, it must be replaced by the manufacturer, its service agent or similarly qualified persons in order to avoid a hazard.

TROUBLESHOOTING

Although your new angle grinder is really very simple to operate, if you do experience problems, please check the following:

1. If your grinder will not operate check the power at the main plug.
2. If your grinder wheel wobbles or vibrates, check that outer flange is tight; check that the wheel is correctly located on the flange plate.
3. If there is any evidence that the wheel is damaged do not use as the damaged wheel may disintegrate, remove it and replace with a new wheel. Dispose of old wheels sensibly.
4. If working on aluminum or a similar soft alloy, the wheel will soon become clogged and will not grind effectively.

ENVIRONMENTAL PROTECTION




Disposal

The machine, its accessories and packaging materials should be sorted for environmentally friendly recycling. The plastic components are

labeled for categorized recycling.

ОБЩИЕ ПРАВИЛА ТЕХНИКИ БЕЗОПАСНОСТИ ПРИ РАБОТЕ С ЭЛЕКТРОИНСТРУМЕНТОМ

 **ПРЕДУПРЕЖДЕНИЕ!** Внимательно ознакомьтесь с инструкциями и предупреждениями по технике безопасности. Невыполнение всех нижеприведенных инструкций и рекомендаций может привести к поражению электрическим током, пожару и серьезным травмам.

Сохраните все предупреждения и инструкции для дальнейшего пользования.

В дальнейшем термин "электроинструмент" используется как для работающего от сети (проводного) электроинструмента, так и для электроинструмента, работающего от аккумулятора (беспроводного).

1) Безопасность на рабочем месте

- a) **Содержите рабочее место в чистоте и хорошо освещенным.** Загроможденные и плохо освещенные зоны способствуют возникновению несчастных случаев.
- b) **Не работайте с инструментом во взрывоопасной атмосфере, в присутствии воспламеняемых жидкостей, газов или пыли.** Возникающие при работе электроинструмента искры могут привести к воспламенению горючих веществ.
- c) **При работе с инструментом дети и посторонние должны находиться на безопасном расстоянии.** Отвлечение внимания может привести к потере вами контроля.

2) Электробезопасность

- a) **Штепсельные вилки электроинструментов должны соответствовать розеткам.** Никогда никоим образом не изменяйте соединительную вилку. При заземленных электроинструментах не используйте никаких переходников. Неизменные вилки и соответствующие розетки снижают риск поражения электротоком.
- b) **Избегайте физического контакта с заземленными поверхностями, такими, как трубы, радиаторы, плиты и холодильники.** Риск поражения электротоком повышается, если ваше тело будет заземлено.
- c) **Не подвергайте электроинструменты воздействию дождя или высокой влажности.** Попадание воды в электроинструмент повышает опасность поражения электротоком.
- d) **Правильно обращайтесь с электрокабелем.** Никогда не

используйте кабель для переноски электроинструмента, а также не тяните за кабель для выключения из розетки. Держите кабель на безопасном расстоянии от источников тепла, масла, острых кромок и движущихся частей. Поврежденные или запутанные кабели повышают риск поражения электротоком.

- e) **При работе с электроинструментом вне помещений используйте удлинители, которые предназначены для работы на открытом воздухе.** Это снижает риск поражения электротоком.
 - f) **При использовании электроинструмента во влажном помещении его необходимо подключать к электросети через устройство защитного отключения (УЗО).** Использование УЗО снижает риск поражения электротоком.
- ## 3) Личная безопасность
- a) **Будьте внимательны: следите за тем, что вы делаете и руководствуйтесь здравым смыслом, работая с электроинструментом.** Не используйте электроинструмент, если вы устали или находитесь под воздействием сильнодействующих средств, алкоголя или медикаментов. Потеря внимания даже на короткое мгновение при работе с электроинструментом может привести к серьезным травмам.
 - b) **Используйте индивидуальные средства защиты. Всегда надевайте средства защиты глаз.** Такие средства защиты, как респиратор, нескользящая защитная обувь, каска или защитные наушники, используемые в соответствующих условиях, снижают риск получения травм.
 - c) **Предотвращайте случайный запуск электроинструмента.** Убедитесь, что выключатель находится в положении "Выключено" перед подключением к электросети и / или аккумуляторной батарее, сборкой или переносом электроинструмента. Переноска инструмента с пальцем на кнопке пуска или включение в сеть электроинструмента с включенным выключателем способствует несчастному случаю.
 - d) **Удаляйте все регулировочные приспособления или гаечные ключи перед включением электроинструмента.** Оставленные на вращающихся деталях электроинструмента, они могут привести к травме.
 - e) **Не перенапрягайтесь. Постоянно занимайте устойчивое положение и поддерживайте равновесие.** Это позволяет лучше контролировать электроинструмент в непредвиденных ситуациях.
 - f) **Одевайтесь надлежащим образом. Не надевайте свободную одежду**

- или украшения. Держите волосы, одежду и перчатки на расстоянии от движущихся частей. Свободную одежду, украшения или длинные волосы может затянуть в движущиеся части.
- g) Используйте предусмотренные средства и устройства для сбора и удаления пыли, если инструмент оснащен таковыми.** *Использование таких средств может снизить опасность, связанные с пылью.*
- 4) Использование электроинструмента и уход за ним**
- a) Не перегружайте электроинструмент.** *Используйте подходящий инструмент для каждой определенной цели. Правильно подобранный электроинструмент выполнит работу лучше и надежнее на уровне, для которого он предназначен.*
- b) Не используйте электроинструмент, если выключатель невозможно включить или выключить.** *Любой электроинструмент, который невозможно контролировать выключателем, представляет опасность и должен быть отремонтирован.*
- c) Отсоедините штепсель от электросети и / или аккумуляторную батарею от электроинструмента перед проведением каких-либо настроек, сменой насадок или хранением электроинструмента.** *Подобные предохранительные меры снижают опасность случайного пуска электроинструмента.*
- d) Храните не используемые электроинструменты в местах, недоступных для детей.** *Не разрешайте работать с электроинструментом лицам, которые не знают его особенностей или не ознакомлены с данной инструкцией. Электроинструменты в руках необученных пользователей представляют опасность.*
- e) Поддерживайте электроинструмент в исправном состоянии. Проверяйте инструмент на предмет смещения или заедания движущихся частей, поломки деталей или любых иных неисправностей, могущих повлиять на работу электроинструмента.** *В случае повреждения следует отремонтировать электроинструмент перед применением. Многие несчастные случаи вызваны плохим уходом за электроинструментом.*
- f) Режущий инструмент должен быть заточенным и чистым.** *При поддержании режущих инструментов в надлежащем состоянии и с острыми режущими кромками вероятность их заклинивания уменьшается и ими легче управлять.*
- g) Используйте электроинструмент, принадлежности, сверла и т. п. в соответствии с данными инструкциями, спецификой**

конкретного типа электроинструмента, учитывая условия работы и выполняемую задачу. Использование электроинструмента для иных операций, помимо тех, для которых он предназначен, может привести к возникновению опасной ситуации.

- 5) Сервисное обслуживание**
- a) Ремонт электроинструмента должен выполняться квалифицированным персоналом с использованием только оригинальных запасных частей.** *Это обеспечит гарантию безопасности его использования.*

ИНСТРУКЦИИ ПО БЕЗОПАСНОСТИ ДЛЯ ВСЕХ ВИДОВ РАБОТ:

Общие предостережения, касающиеся безопасности при выполнении шлифовки или абразивной резки:

- a) Этот электроинструмент предназначен для использования в качестве шлифовальной машины или инструмента для резки.** *Прочитайте все предупреждения, инструкции по технике безопасности, иллюстрации и спецификации, прилагаемые к этому электроинструменту. Невыполнение всех перечисленных ниже инструкций может привести к поражению электрическим током, пожару и / или серьезным травмам.*
- b) Данный электроинструмент не рекомендуется использовать для выполнения таких операций, как шлифование, щеточная очистка, полировка.** *Выполнение операций, для которых электроинструмент не предназначен, может создать опасную ситуацию и стать причиной травмы.*
- c) Не используйте аксессуары, которые не были специально разработаны и рекомендованы производителем инструмента.** *Тот факт, что аксессуар может быть закреплен на вашем электроинструменте, еще не гарантирует его безопасное использование.*
- d) Номинальная скорость вращения аксессуара должна быть как минимум равна максимальной скорости, указанной на электроинструменте.** *Аксессуары, вращающиеся быстрее указанной номинальной скорости, могут оторваться и отлететь.*
- e) Наружный диаметр и толщина вашего аксессуара должны соответствовать номинальной мощности электроинструмента.** *Неправильно подобранные аксессуары не могут быть должным образом закрыты предохранительным устройством или правильно контролироваться.*
- f) Размер оправок дисков и**

фланцев должен обеспечивать точную установку шпинделя электроинструмента. Для аксессуаров, смонтированных посредством фланцев, отверстие для оправки аксессуара должно соответствовать посадочному диаметру фланца.

Аксессуары с отверстиями оправки, которые не совпадают с монтажными приспособлениями электроинструмента, будут работать несбалансированно, с избыточной вибрацией и могут привести к потере управления.

- g) **Не используйте поврежденные аксессуары.** Перед каждым использованием проверяйте аксессуары, какие так абразивные диски, на наличие сколов и трещин, диск-подшосу на наличие трещин, разрывов или чрезмерного износа. Если электроинструмент или аксессуар случайно уронили, проверьте их на повреждения или установите неповрежденный аксессуар. После проверки и установки аксессуара встаньте сами и проследите, чтобы присутствующие располагались подальше от плоскости вращающегося диска, затем дайте проработать электроинструменту на максимальной скорости без нагрузки в течение одной минуты. В течение этого тестового времени поврежденные аксессуары обычно разламываются.
- h) **Носите средства индивидуальной защиты.** В зависимости от применения носите лицевой щиток, закрытые или защитные очки. При необходимости надевайте пылезащитную маску, защитные наушники, перчатки и рабочий фартук, способный предохранить от небольших осколков абразивного материала или обрабатываемого предмета. Защита глаз должна быть способна предохранить от летящего мусора, сопутствующего различным операциям. Пылезащитная маска или респиратор должны быть способны отфильтровывать частицы, образующиеся в результате работы. Продолжительное воздействие шума высокой интенсивности может привести к потере слуха.
- i) **Держите посторонних на безопасном расстоянии от рабочей зоны.** Любой, вошедший в рабочую зону, должен надевать средства индивидуальной защиты. Осколки обрабатываемого предмета или сломавшийся диск могут отлетать в сторону и привести к травмам за пределами участка непосредственно работы.
- j) **Удерживайте электроинструмент только за изолированные захватные поверхности при выполнении операций, когда режущий аксессуар может контактировать со скрытой проводкой или собственным**

шнуром питания. Режущий аксессуар, контактирующий с проводом под напряжением, может проводить напряжение на металлические части электроинструмента и стать причиной удара оператора электрическим током.

- k) **Держите шнур питания подальше от вращающегося аксессуара.** Если вы потеряете контроль, шнур может быть перерублен или поврежден, а ваши руки могут быть затянуты во вращающийся диск.
- l) **Никогда не кладите электроинструмент, пока аксессуар не остановится полностью.** Вращающийся диск может зацепиться за поверхность, и вы потеряете контроль над электроинструментом.
- m) **Не запускайте электроинструмент во время его переноски.** Случайный контакт с вращающимся аксессуаром может зацепить одежду, затягивая аксессуар к вашему телу
- n) **Регулярно очищайте вентиляционные отверстия электроинструмента.** Вентилятор электродвигателя затягивает пыль внутрь корпуса; избыточное скопление металлического порошка может привести к поражению электрическим током.
- o) **Не используйте электроинструмент рядом с горючими материалами.** Искры могут воспламенить эти материалы.
- p) **Не используйте аксессуары, для которых необходимы охлаждающие жидкости.** Использование воды или других охлаждающих жидкостей может привести к поражению электрическим током.
- q) **Вы не должны отпускать рукоятку инструмента во время работы.** Всегда используйте вспомогательные рукоятки, поставляемые в комплекте с инструментом. Потеря контроля может привести к травме.

ДОПОЛНИТЕЛЬНЫЕ ИНСТРУКЦИИ ПО БЕЗОПАСНОСТИ ДЛЯ ВСЕХ ВИДОВ РАБОТ

Отдача и соответствующие предостережения

Отдача представляет собой случайную реакцию на заклинивший или зацепившийся вращающийся диск, диск-подшосу, щетку или любой другой аксессуар. Заклинивание или зацепление вызывает быстрое торможение вращающегося аксессуара, что, в свою очередь, приводит к неконтролируемому движению электроинструмента в направлении, обратном вращению аксессуара в точке заедания.

Например, если абразивный диск зацепился или застрял в обрабатываемом предмете, край диска, который входит в точку защемления, может вырваться в поверхность материала, что приведет к выскакиванию или отскакиванию диска. Диск может отскочить в сторону от оператора или в направлении оператора, в зависимости

от направления движения диска в точке заклинивания. Абразивные диски в этих условиях также могут сломаться.

Отдача является результатом неправильного использования электроинструмента и/или неправильных рабочих процедур или условий, и ее можно избежать, приняв надлежащие меры безопасности, приведенные ниже.

- a) **Прочно удерживайте электроинструмент и держите тело и руки так, чтобы противостоять силам отдачи. Всегда используйте дополнительную рукоятку, при ее наличии, для максимального контроля отдачи или реакции скручивания во время запуска.**
Оператор может контролировать реакцию скручивания или силы отдачи, если принять надлежащие меры безопасности.
- b) **Никогда не помещайте руку рядом с вращающимся аксессуаром.**
Аксессуар может под воздействием отдачи сместиться в сторону вашей руки.
- c) **Не располагайте тело в зоне, куда будет отброшен электроинструмент в случае возникновения отдачи.**
Отдача откинет инструмент в направлении, противоположном движению диска на момент зацепления.
- d) **Соблюдайте особую осторожность при работе на углах, острых краях и т.д. Избегайте подкачивания и зацепления аксессуара. Углы, острые края или подкачивание могут стать причиной зацепления вращающегося аксессуара и привести к потере контроля или отдаче.**
- e) **Не закрепляйте пыльную цепь, лобзикový режущий диск или зубчатый пыльный диск.** Такие режущие диски часто являются причиной отдачи и потери контроля.

ПРЕДУПРЕЖДЕНИЯ О БЕЗОПАСНОСТИ, СПЕЦИФИЧНЫМ ДЛЯ ОПЕРАЦИЙ ШЛИФОВАНИЯ И АБРАЗИВНОЙ РЕЗКИ:

- a) **Используйте круги только такого типа, который рекомендуется для вашего электроинструмента, и специальный кожух, предназначенный для используемого круга.** Непредназначенные для этого электроинструмента круги невозможно оградить, и они являются небезопасными.
- b) **Шлифовальная поверхность центровых вдавленных кругов должна быть установлена ниже плоскости защитного края.** Неправильно установленные круги, края которых выходят за плоскость защитного края, не могут

быть в достаточной мере защищены.

- c) **Кожух необходимо прочно закрепить на электроинструменте и установить максимально безопасно, чтобы как можно меньшая часть круга была направлена на оператора.** Кожух помогает защитить оператора от фрагментов сломанного круга и случайного соприкосновения с кругом.
- d) **Круги должны использоваться только для рекомендованных способов применения. Например, запрещается шлифовать боковой стороной круга, предназначенного для абразивного отрезания.** Круги для абразивного резания предназначены для резки периферией круга; приложение боковых усилий к таким кругам может вызвать их разрушение.
- e) **Для используемого круга всегда используйте неповрежденные фланцы круга соответствующего размера и формы.** Соответствующие фланцы круга поддерживают круг, уменьшая возможность его разрушения. Фланцы кругов для отрезания могут отличаться от фланцев шлифовальных кругов.
- f) **Не используйте изношенные круги с электроинструментами большего размера.** Круг, предназначенный для электроинструмента большего размера, не подходит для более высокой скорости вращения инструмента меньшего размера и может лопнуть.

УСЛОВНЫЕ ОБОЗНАЧЕНИЯ

	Для уменьшения риска получения травм, пользователь обязан прочитать руководство по эксплуатации
	Двойная изоляция
	Предостережение
	Носите защиту органов слуха
	Носите защиту органов зрения
	Носите пылезащитную маску



Носите защитные перчатки



Перед любыми работами на самом устройстве извлеките вилку из розетки.

ПЕРЕЧЕНЬ КОМПОНЕНТОВ

1. **ВЫКЛЮЧАТЕЛЬ**
2. **ЗОНА ЗАХВАТА РУКИ**
3. **ДОПОЛНИТЕЛЬНАЯ РУКОЯТКА**
4. **КНОПКА БЛОКИРОВКИ ШПИНДЕЛЯ**
5. **ПРЕДОХРАНИТЕЛЬНЫЙ КОЖУХ ШЛИФОВАЛЬНОГО ДИСКА**
6. **ВНЕШНИЙ ФЛАНЕЦ**
7. **ВНУТРЕННИЙ ФЛАНЕЦ**
8. **ШПИНДЕЛЬ**
9. **ГАЕЧНЫЙ КЛЮЧ**

Не все показанные или описанные аксессуары включены в стандартную поставку.

ТЕХНИЧЕСКИЕ ДАННЫЕ

	KUS20P
Номинальное напряжение	220В~50Гц
Номинальная мощность	1400Вт
Номинальная скорость	9500rpm
Класс защиты	/II
Резьба шпинделя	M14
Размер диска	125мм
Отверстие диска	22.2мм
Вес машины	2.0кг

АКСЕССУАРЫ

	KUS20P
Гаечный ключ	1
Дополнительная рукоятка	1

Мы рекомендуем вам приобрести аксессуары, перечисленные в приведенном выше списке, в том же магазине, где вам продали инструмент. Для получения дополнительной информации см. упаковку. Сотрудники магазина смогут помочь вам и дать совет.

ИНСТРУКЦИИ ПО ЭКСПЛУАТАЦИИ



ПРИМЕЧАНИЕ: Перед использованием инструмента внимательно прочитайте инструкцию.

ПРЕДНАЗНАЧЕННОЕ ИСПОЛЬЗОВАНИЕ

Эта машина предназначена для резки, черновой обработки и щеточной очистки металлических и каменных материалов без использования воды. Для резки металла необходимо использовать специальный защитный кожух для резки (аксессуар).

СБОРКА И ЭКСПЛУАТАЦИЯ

ДЕЙСТВИЯ	РИСУНОК
СБОРКА	
Сборка дополнительной рукоятки	См. Рис. А
Сборка шлифовального	См. Рис. В
Регулировка зажима внешнего фланца	См. Рис. С1, С2
ЭКСПЛУАТАЦИЯ	
Использование выключателя	См. Рис. D
Зоны захвата рукой	См. Рис. E
Грубое шлифование Предостережение! Запрещается использовать режущий диск для черновой обработки.	
Автоматическая остановка угольных щеток	См. Рис. F

РЕКОМЕНДАЦИИ ПО ИСПОЛЬЗОВАНИЮ УГЛОВОЙ ШЛИФОВАЛЬНОЙ МАШИНЫ

Всегда запускайте инструмент без нагрузки, дождитесь, пока он достигнет максимальной скорости, а затем начинайте работу. Не форсируйте скорость работы диска, снижение скорости движения диска означает увеличение его срока службы.

Всегда работайте, поддерживая угол $15^\circ \sim 30^\circ$ между диском и заготовкой. Большой угол приведет к образованию выступов на заготовке и повлияет на обработку поверхности. Перемещайте угловую шлифовальную машину вдоль поверхности заготовки.

При использовании режущего диска никогда не меняйте угол резки, в противном случае это приведет к срыву диска и остановке двигателя угловой шлифовальной машины, либо поломке диска.

При резке выполняйте работу только в направлении, противоположном вращению диска. Если вы будете выполнять резку в направлении, совпадающем с направлением вращения диска, диск может вытолкнуть себя из пропила.

При резке очень твердого материала наилучших результатов можно достичь с помощью алмазного диска.

Алмазный диск сильно нагревается при использовании. Если это произойдет, вы увидите кольцо искр вокруг вращающегося диска.

Прекратите резку и дайте диску остыть при работе без нагрузки в течение 2-3 минут.

Всегда проверяйте надежность фиксации заготовки, чтобы предотвратить ее смещение.

ТЕХНИЧЕСКОЕ ОБСЛУЖИВАНИЕ

До выполнения любых работ по регулировке, обслуживанию и уходу следует вынуть вилку электропитания из розетки.

Данный электроинструмент не требует дополнительной смазки или технического обслуживания.

В данном инструменте отсутствуют детали, подлежащие обслуживанию пользователем. Никогда не используйте воду или химические чистящие средства для очистки вашего электроинструмента. Протирайте его сухой тканью. Всегда храните электроинструмент в сухом месте. Содержите в чистоте вентиляционные отверстия двигателя. Не допускайте попадания пыли на все рабочие органы управления. Иногда через вентиляционные отверстия можно увидеть искры. Это нормально и повредит ваш электроинструмент. Если шнур питания поврежден, он должен быть заменен производителем, его сервисным агентом или специалистами с аналогичной квалификацией, чтобы избежать опасности.

ИСПРАВЛЕНИЕ ПРОБЛЕМ

Хотя ваша новая угловая шлифовальная машина действительно очень проста в эксплуатации, при возникновении проблем проверьте следующее:

1. Если кофемолка не работает, проверьте питание на сетевой вилке.
2. Если ваше шлифовальное колесо качается или вибрирует, убедитесь, что внешний фланец затянут; убедитесь, что колесо правильно расположено на фланцевой пластине.
3. Если есть какие-либо доказательства того, что колесо повреждено, не используйте, так как поврежденное колесо может распасться, снимите его и замените новым колесом. Утилизируйте старые колеса разумно.
4. При работе с алюминием или подобным мягким сплавом колесо вскоре забьется и не будет эффективно шлифовать.

ОКРУЖАЮЩЕЙ СРЕДЫ



Утилизация

Инструмент, его аксессуары и упаковочные материалы должны быть отсортированы для экологически чистой переработки. Пластиковые компоненты имеют маркировку для утилизации по категориям.

СТРАНА ТЕЛЕФОН ТЕХПОДДЕРЖКИ

Россия 7 (495) 136-83-96



EAC

Импортер: ООО «КВТ Эксперт»

Адрес: Россия, Москва, 119607, проспект Мичуринский, дом 31, корпус 7, помещение 40/2

Телефон: +7 (495) 107-02-72

Электронная почта kvit@kvtservice.su

Страна производства: КНР

Изготовитель: Позитек Технолоджи (КНР) Ко., Лтд.

Адрес: Номер 18, Донванг Роуд, Сучжоу Индастриал Парк, Цзянсу, КНР

Срок службы изделия: 6 лет

Срок гарантии: 2 года

Дата производства изделия: указана на изделии

Уполномоченное лицо для принятия претензий: ООО «ПОЗИТЕК-ЕВРАЗИЯ»

Адрес: Российская Федерация, 117342, г. Москва, ул. Бутлерова, д. 17, этаж 3 ком 67

Телефон сервисной службы ООО «ПОЗИТЕК-ЕВРАЗИЯ»: +7 (495) 136-83-96

Электронная почта service.ru@positecgroup.com

16

RU

Kress